



# 126 SERIES TPL



Big flow and reduced drop pressure.  
Available only without valve, free flow

### • Materials

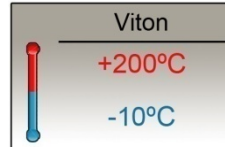
Carbon Steel *EN -10277-3, AISI316, Brass DIN-EN 12164*

Seals: *Viton*

Balls: *As version*

Springs: *As version*

### • Working temperature (Seals)



• **Applications:** Designed for Oil hydraulic Applications according to European Directive 97.23.EC

• **Sectors:** High pressure cleaning systems

### • Equivalence

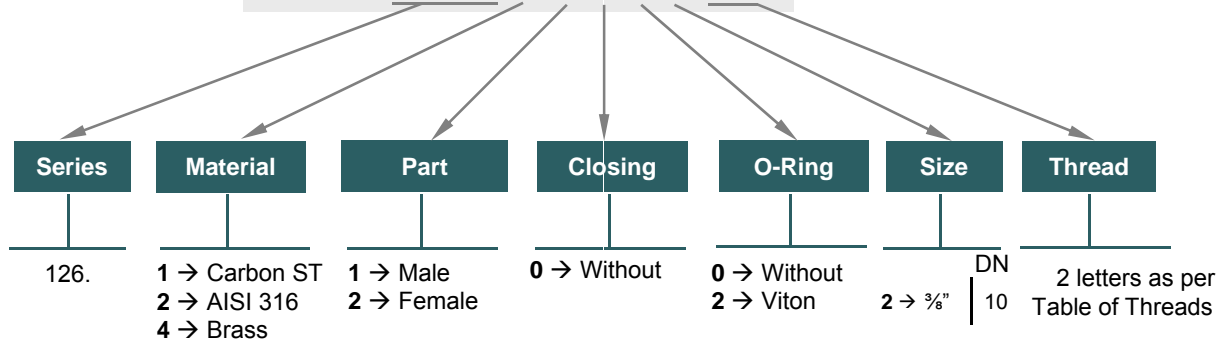
3/8" TEMA 3800  
KEW



### MODEL STRUCTURE

Example;

**126.12022 AC**

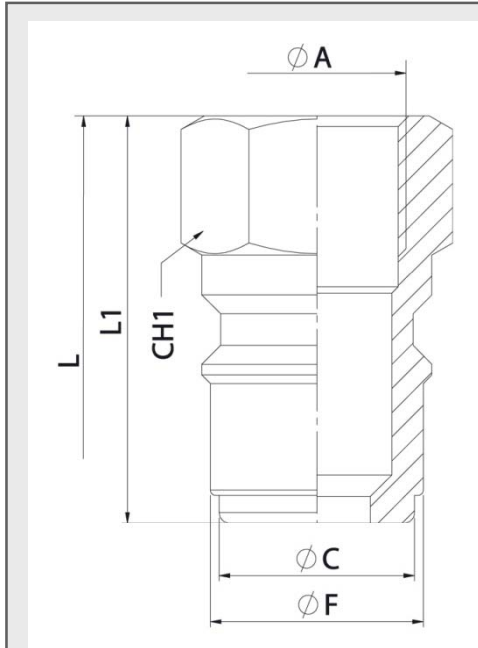



**126-1**

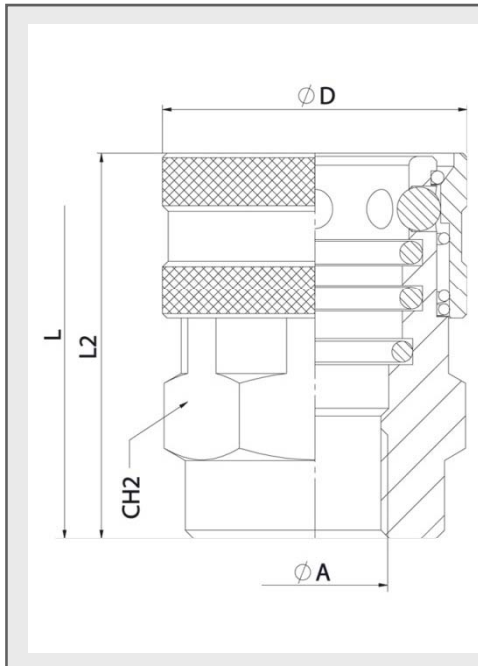





# 126 SERIES TPL



MALE									
DN	ØA	CH1	L1	ØF	ØC	L	MATERIAL	REF.	
10	3/8" BSP	22	38	19,90	18,25	58	White Cr <sub>3</sub> Passivation (Cr <sub>6</sub> Free)	126.11002AC	350Bar
							Nickel-plated Carbon Steel	126.11002AC011	
							AISI 316	126.21002AC	300 Bar



FEMALE									
DN	ØA	CH2	L2	ØD	L	MATERIAL	REF.		
10	3/8" BSP	22	38	19,90	58	Nickel-plated Carbon Steel	126.12022AC011	350Bar	
						Brass	126.21002AC	90 Bar	
						Nickel-plated Brass	126.42022AC011		
						AISI316	126.22022AC	300 Bar	