



201 SERIES VCR



Designed for elevation systems on trucks.
Reduced drop pressure.
Poppet Valve closing system.

• Materials

Carbon Steel EN10277-3

Seals: NBR, Viton or EPDM

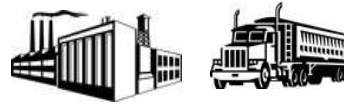
Springs: Carbon Steel DIN 17233/84(B)

• Working temperature (Seals)

	NBR	Viton	EPDM
	+100°C	+200°C	+150°C
	-30°C	-10°C	-40°C

• **Applications:** Designed for Oil hydraulic Applications according to European Directive 97.23.EC Special for American market

• Sectors: Industrial

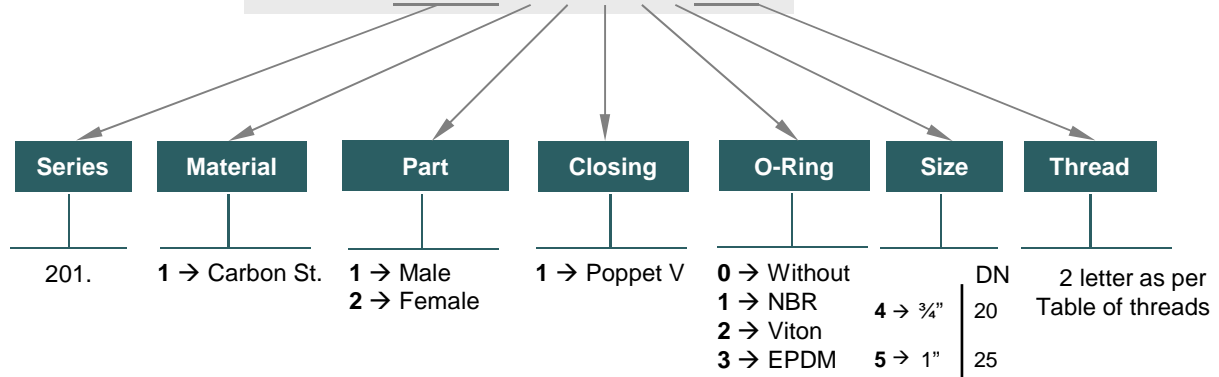


• **Equivalence:** FASTER CVE
EDBRO

MODEL STRUCTURE

Example;

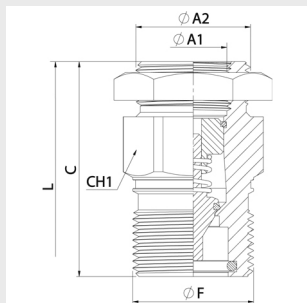
201.11114 AE




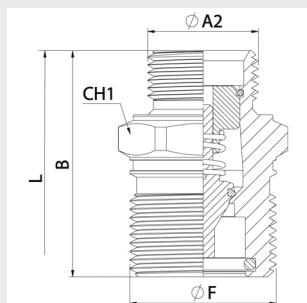
201-1




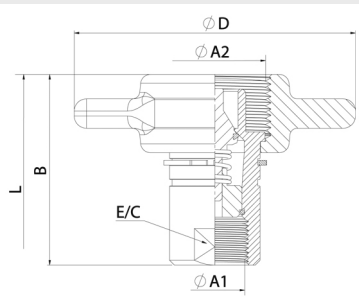
201 SERIES VCR




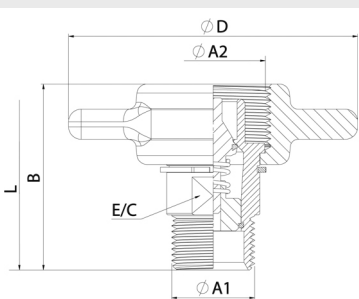
MALE								
DN	ØA1	ØA2	CH1	C	ØF	L	REF.	
20	¾" BSP	1 ¼"	46	78	44	138	201.11114AE	350 Bar
25	1" BSP	BSP	55	83	53,60	148	201.11115AF	300 Bar




MALE								
DN	ØA2	CH1	B	ØF	L	REF.		
20	1" BSP	46	68	44	118,50	201.11114AQ	350 Bar	



FEMALE								
DN	ØA1	ØA2	E/C	B	ØD	L	REF.	
20	¾" BSP	41,50	33	78	115	138	201.12114AE	350 Bar
25	1" BSP	51	40	83	115	148	201.12115AF	300 Bar



FEMALE								
DN	ØA1	E/C	ØA2	B	ØD	L	REF.	
20	1" BSP	33	41,50	74	115	118,50	201.12114AQ	350 Bar

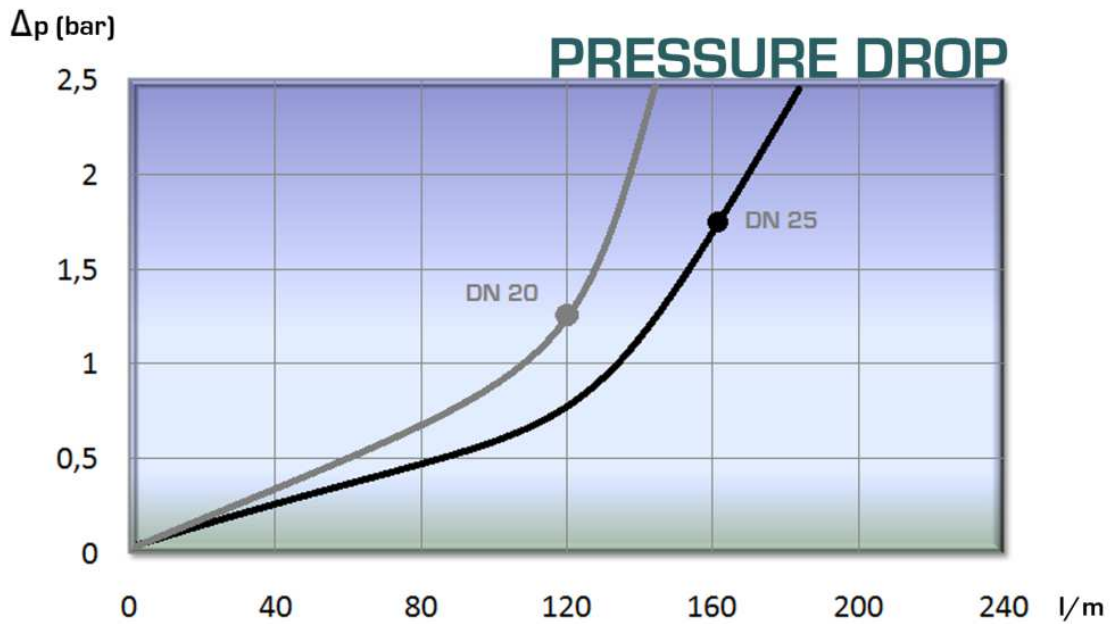


201 SERIES VCR



TECHNICAL DATA

DN	Rated Flow	Min Burst Pressure (bar)			Max. Working Pressure
		Male	Female	Coupled	
20	120 l/m	1100	1300	1325	350 bar
25	160 l/m	1200	900	1325	300 bar





201 SERIES VCR

PLUGS &
CAPS

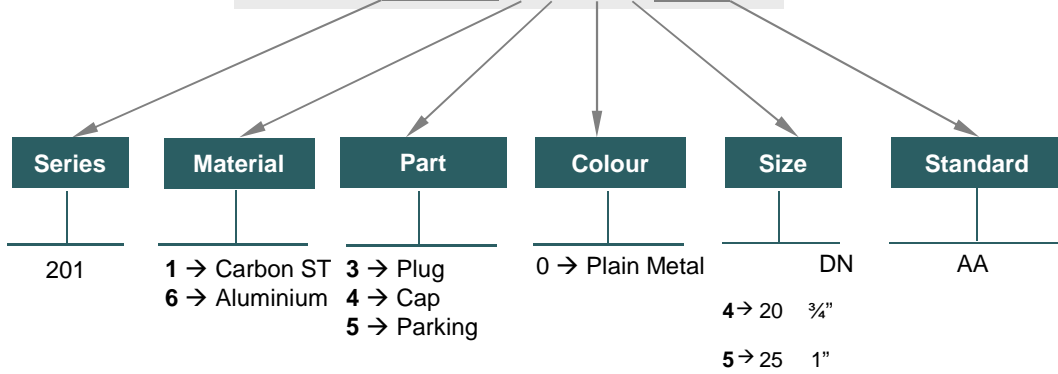


MODEL STRUCTURE

For plugs/caps and parking parts

Example;

201.6304 AA



DN	REF.	ØA	L	B	ØD
20	201.6304AA	50	200	25	37,5
25	201.6305AA	60	191	25	42

DN	REF.	ØA	L	B	ØD
20	201.6404AA	48	191	13	42
25	201.6405AA	60	191	18	52

DN	REF.	ØA	L
20	201.1504AA	45	25
25	201.1505AA	55	25