



# 453 SERIES

V3CR BSP  
F-M-F



Calibrated steel manufacturing.  
Available with and without mounting holes.  
Thread combination available upon request of minimum quantities.

## • Materials

Carbon Steel *EN -10277-3*

Seals: **NBR, Viton or EPDM**

Seating Ball: **P.O.M (Delrin®)**

Handle: **ZAMAK-5**

- **Applications:** Designed for Oil hydraulic Applications according to European Directive 97.23.EC Hammer Application

## • Working temperature (Seals)

	NBR	Viton	EPDM
	+100°C	+200°C	+150°C
	-30°C	-10°C	-40°C

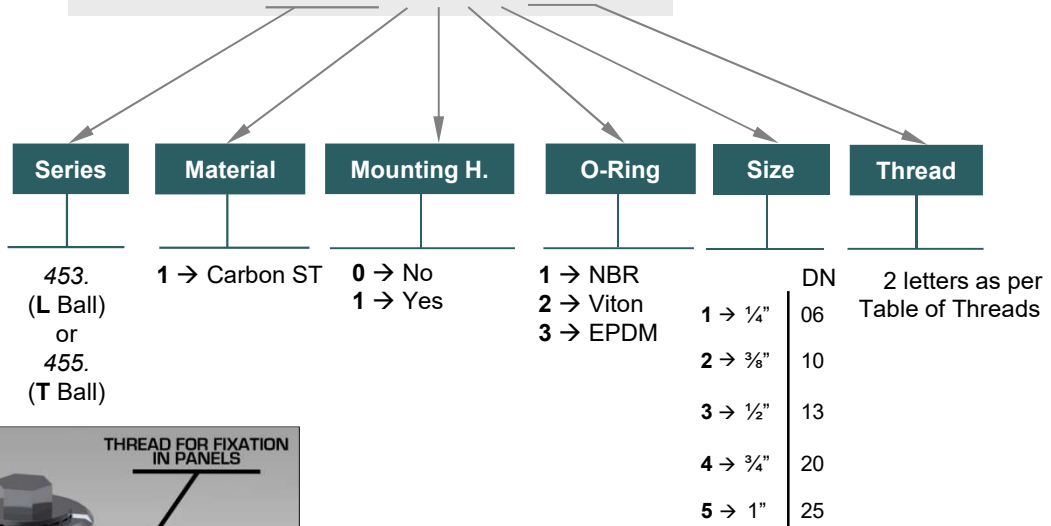
- **Sectors:** Industrial, Agricultural.



## MODEL STRUCTURE

Example:

**453.1014 AE**

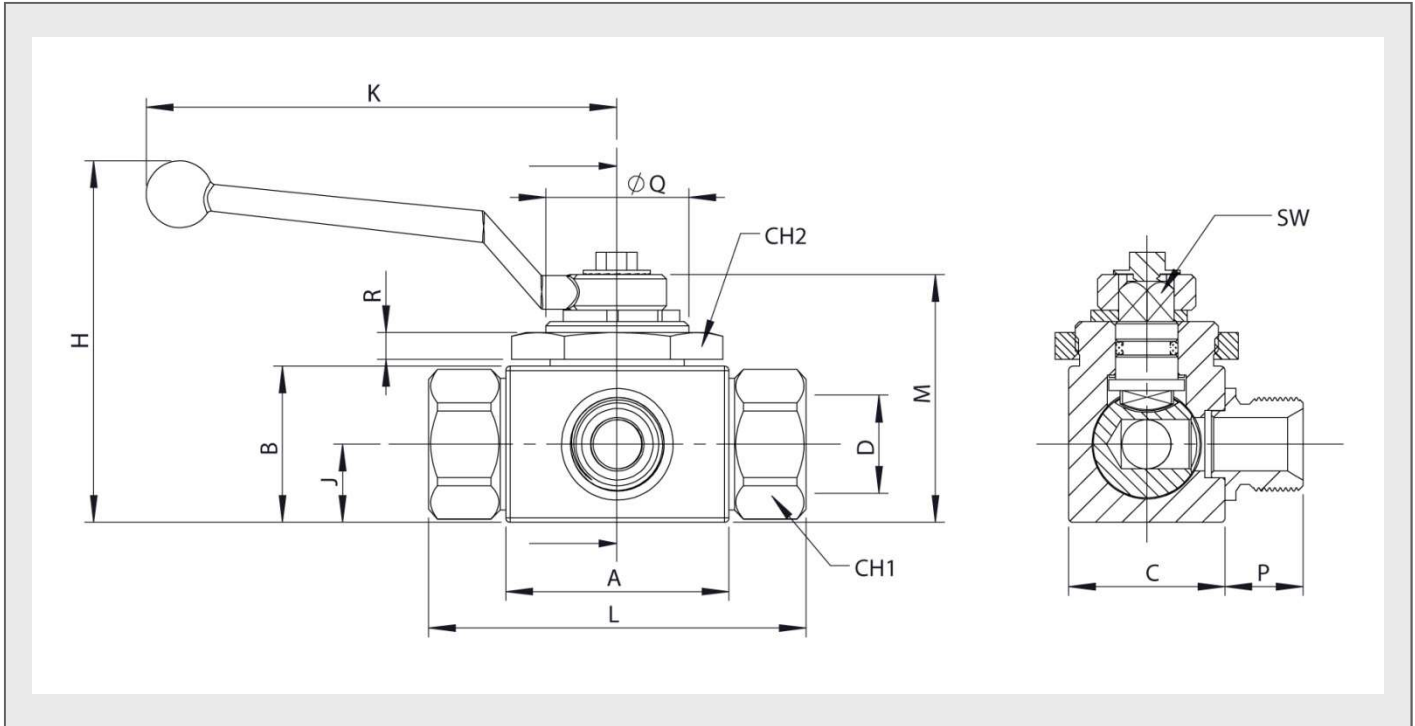


**453-1**



# 453 SERIES

V3CR <sup>BSP</sup>  
F-M-F



## STANDARD MODELS

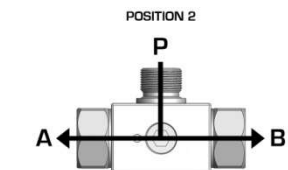
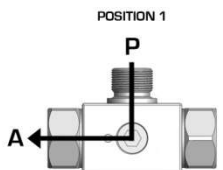
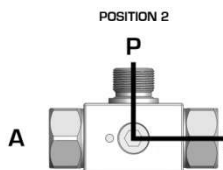
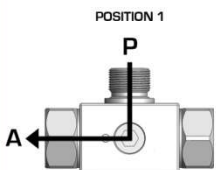
DN	D	REF.		CH1	CH2	L	A	B	M	K	H	J	C	SW	R	Q	P	
06	1/4" BSP	453.1011AB	500Bar	22	30	72,60	40	35	45,50	105,50	71	13	26	8,90	6	M32x1,5	13	
10	3/8" BSP	453.1012AC		27	41	75,40	45	40	50,50		76	16	32					
13	1/2" BSP	453.1013AD	400Bar	30		84,50	50	45	55,50	81	17,50	35				M32x1,5	17,5	
20	3/4" BSP	453.1014AE	350Bar	41	50	93,40	60	58	73	159,50	108	23	50	13,90			M45x1,5	19
25	1" BSP	453.1015AF		46	50	114,50	65	65	80		115	27,50	57					25

TYPE "L" BALL

POSITION 2

TYPE "T" BALL

POSITION 2



453-2