

# 402 SERIES

## V2MT DIN 2353



Calibrated steel manufacturing.  
Available with or without mounting holes.  
Thread combination available upon request of minimum quantities.

### • Materials

Carbon Steel *EN -10277-3*

Seals: **NBR, Viton or EPDM**

Seating Ball: **P.O.M (Delrin®)**

Handle: **ZAMAK-5**

• **Applications:** Designed for Oil hydraulic Applications according to European Directive 97.23.EC Hammer Application

### • Equivalence

PISTER BKH  
MHA BKH  
HYDAC KHB

### • Working temperature (Seals)

	NBR	Viton	EPDM
	+100°C	+200°C	+150°C
	-30°C	-10°C	-40°C

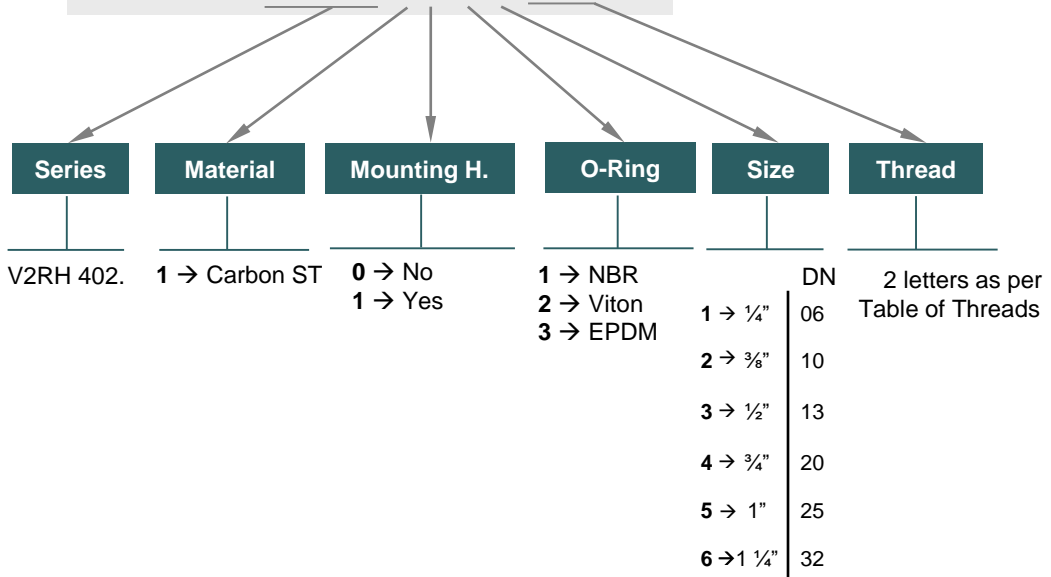
• **Sectors:** Industrial, Agricultural.



## MODEL STRUCTURE

Example:

# 402.1113 JG

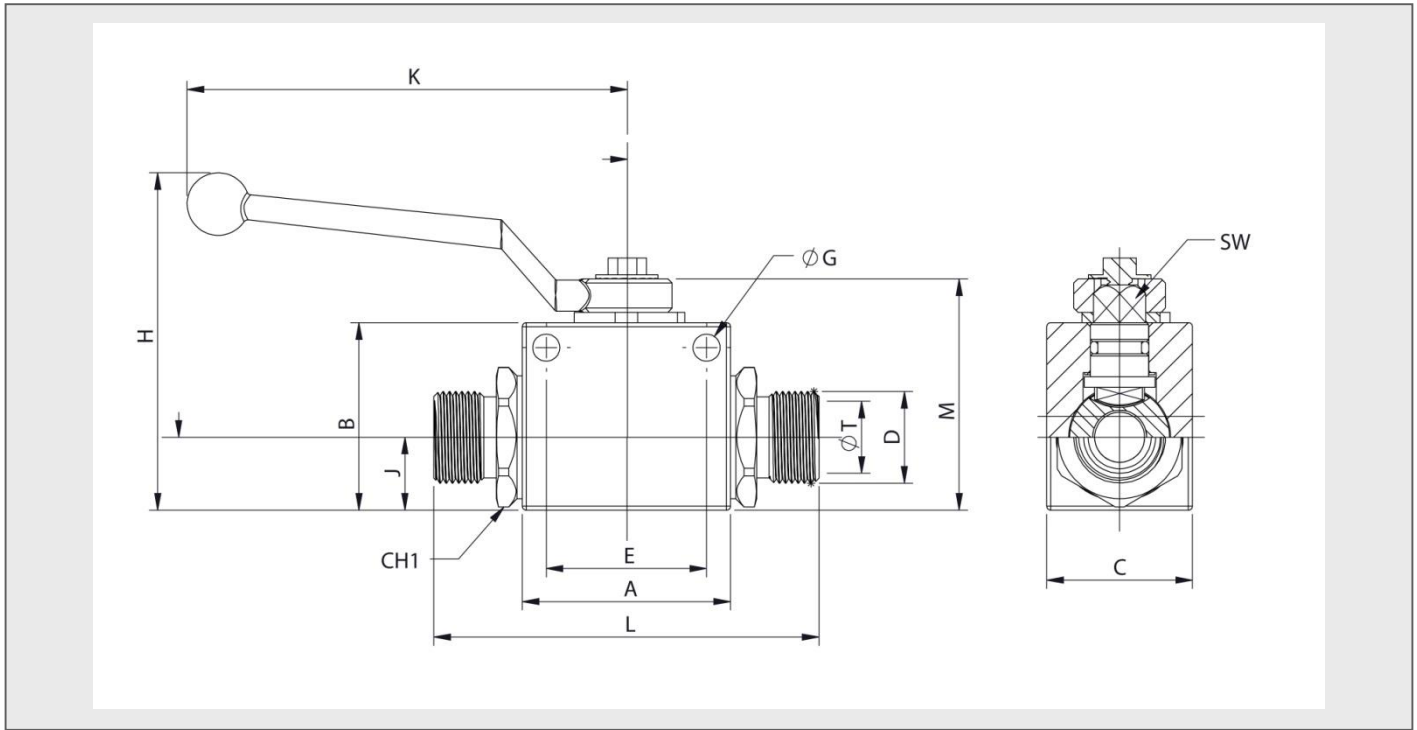


## 402-3




# 402 SERIES

## V2MT DIN 2353



### STANDARD MODELS

DN	D	ØT	With M.H.	Without M.H.		CH1	L	A	B	M	K	H	J	C	SW	ØG	E		
06	M12x1,5	6L	402.1111JB	402.1011JB	500Bar	22	78,60												
	M14x1,5	8L	402.1111JC	402.1011JC			79,60	40	35	45,50	105,50	71	13	26	8,90	4,50	31,50		
	M16x1,5	8S	402.1111KD	402.1011KD															
	M18x1,5	10S	402.1111KE	402.1011KE															
10	M16x1,5	10L	402.1112JD	402.1012JD	500Bar	27	77,40												
	M18x1,5	12L	402.1112JE	402.1012JE			79,40	45	35	50,50	105,50	76	16	32	8,90	5,20	31,50		
	M22x1,5	15L	402.1112JG	402.1012JG															
	M20x1,5	12S	402.1112KF	402.1012KF															
13	M22x1,5	14S	402.1112KG	402.1012KG	500Bar	30													
	M22x1,5	15L	402.1113JG	402.1013JG			92,50	50	45	55,50	105,50	81	17,50	35	8,90	6,50	38,50		
	M26x1,5	18L	402.1113JI	402.1013JI															
	M24x1,5	16S	402.1113KH	402.1013KH															
20	M30x2	20S	402.1113KJ	402.1013KJ	400Bar	41													
	M30x2	22L	402.1114JJ	402.1014JJ			108,40	60	58	73	159,50	108	23	50	13,90	6,50	48,50		
	M36x2	25S	402.1114KK	402.1014KK															
	M36x2	28L	402.1115JK	402.1015JK															
25	M42x2	30S	402.1115KL	402.1015KL	350Bar	46	113,50	65	65	80	159,50	115	27,50	57	13,90	8,50	50,50		
							128,50												