



# 136 SERIES DRF



Easy connection to check the pressure of the hydraulic systems in different parts of the circuit.

## • Materials

Carbon Steel *EN -10277-3 /AISI 316L/ Brass*

Seals: **NBR, Viton or EPDM**

Back-up-ring: **PTFE**

Balls: *AISI 1010/1015*

Springs: *Carbon Steel DIN 17233/84(B)*

• **Applications:** Designed for Oil hydraulic. Quick-release coupling for diagnosis.

• No air inclusion within the circuit.

## • Equivalence

Design according to ISO 15171-1 & SAE J1502

## • Working temperature (Seals)

	NBR	Viton	EPDM
+	+100°C	+200°C	+150°C
-	-30°C	-10°C	-40°C

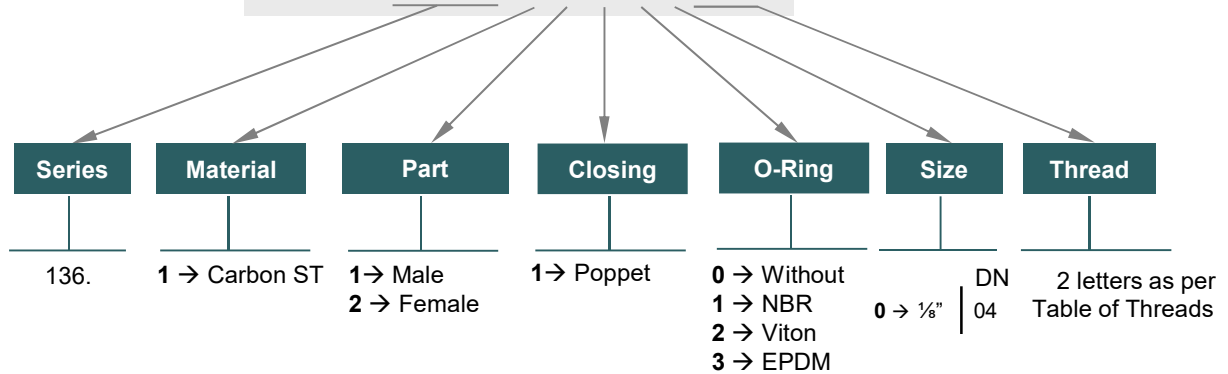
• **Sectors:** Industrial. Building machinery.



## MODEL STRUCTURE

Example:

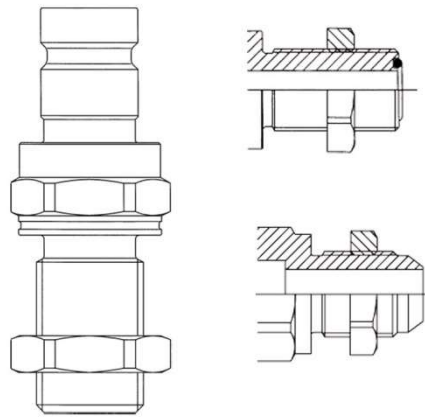
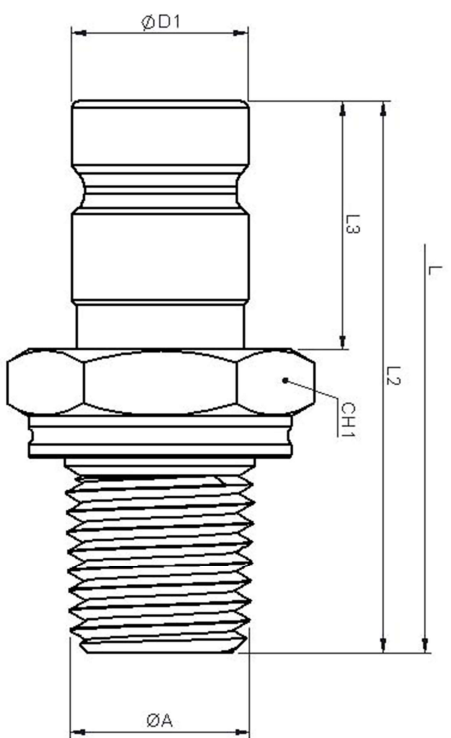
### 136.12110BB




136-1



# 136 SERIES DRF



## STANDARD MODELS

DN	ØA	STANDARD	REF.		L	L2	L3	CH1	ØD1
	1/8" NPTF	ANSI B1.20.3	136.11110BL						
	1/4" NPTF		136.11110BM						
	M14x1,5	ISO 6149-2	136.11110OF						
	3/8" UNF	SAE J1926-2	136.11110HA						
	7/16" UNF		136.11110HB					19	
	1/2" UNF		136.11110HC						
	9/16" UNF		136.11110HD						
	9/16" UNF		136.11110ZD						
04	11/16" UN	ISO 8434-3	136.11110ZE	420Bar	81,25	45,75	17,75		12,6
	13/16" UN		136.11110ZG					22	
	7/16" UNF	ISO 8434-2	136.11110YB						
	1/2" UNF		136.11110YC						
	9/16" UNF		136.11110YD						
	M12x1,5		ISO 9974-2	136.11110QE					19
	M14x1,5		136.11110QF						
	1/8" BSP	DIN 3852-2	136.11110AL						
	1/4" BSP		136.11110AM						

## BULKHEADS

DN	ØA	STANDARD	REF.	L	L2	L3	CH1	ØD1
	9/16" UNF		136.11110ZDP		60,3			
	11/16" UN	ISO 8434-3	136.11110ZEP		62,8			
04	13/16" UN		136.11110ZGP	420Bar	77,1	17,75	19	12,6
	7/16" UNF		136.11110YBP		58			
	1/2" UNF	ISO 8434-2	136.11110YCP		58			
	9/16" UNF		136.11110YDP		60			

Manufactured according to ISO 15171-1, size DN04 under ISO 7241-2 specifications.



**DUST CAP – 136.5450AA**

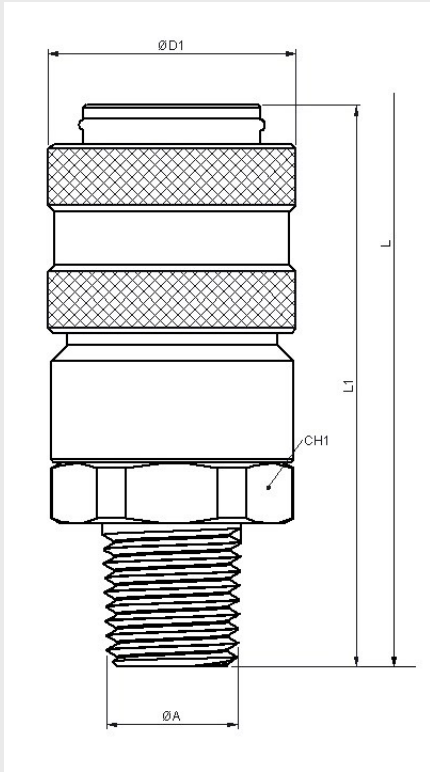
**136-2**




# 136 SERIES DRF



## STANDARD MODELS



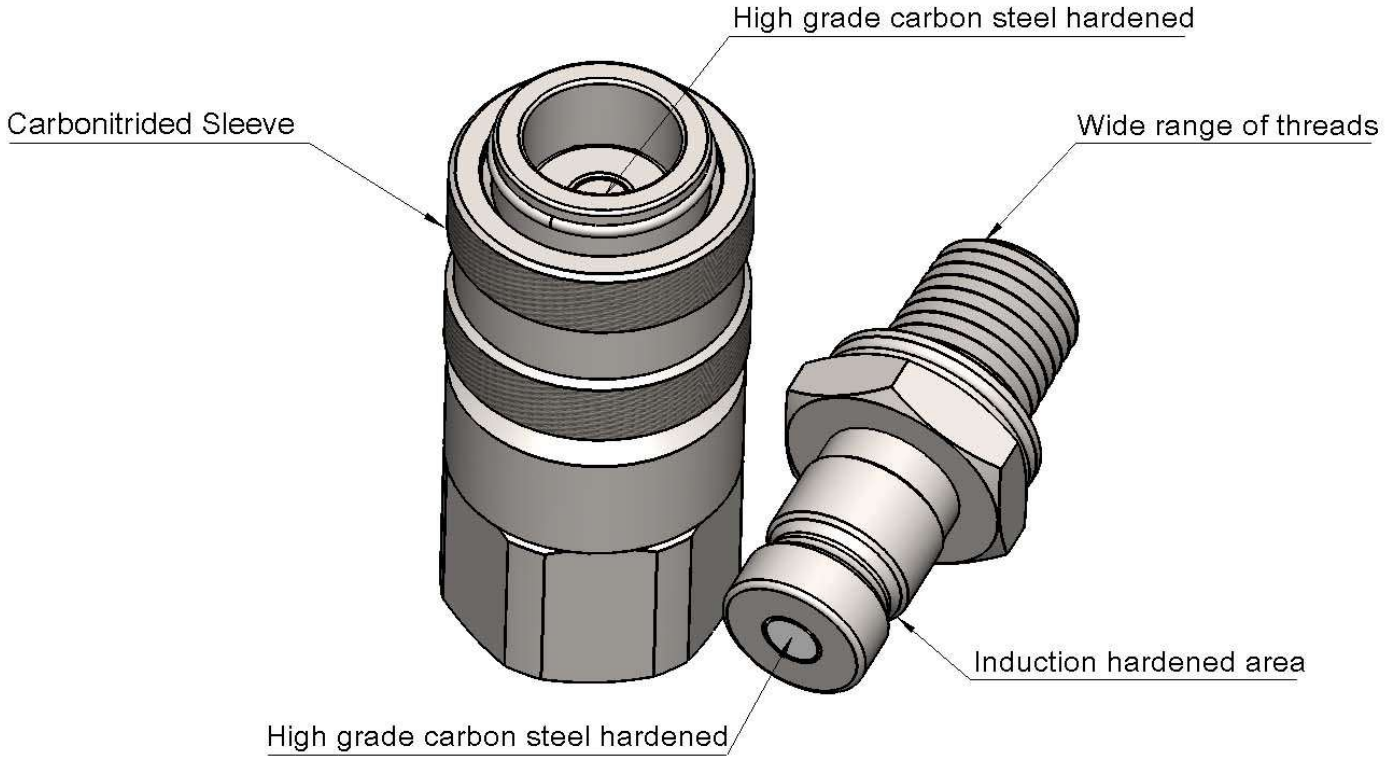
DN	ØA	STANDARD	REF.		L	L1	CH1	ØD1
04	1/8" NPTF	ANSI B1.20.3	136.12110BL	420Bar	81,25	55	22	24,3
	1/4" NPTF		136.12110BM					
	1/8" BSP	DIN 3852-2	136.12110AL					
	1/4" BSP		136.12110AM					

Manufactured according to ISO 15171-1, size DN04 under ISO 7241-2 specifications.





# 136 SERIES DRF

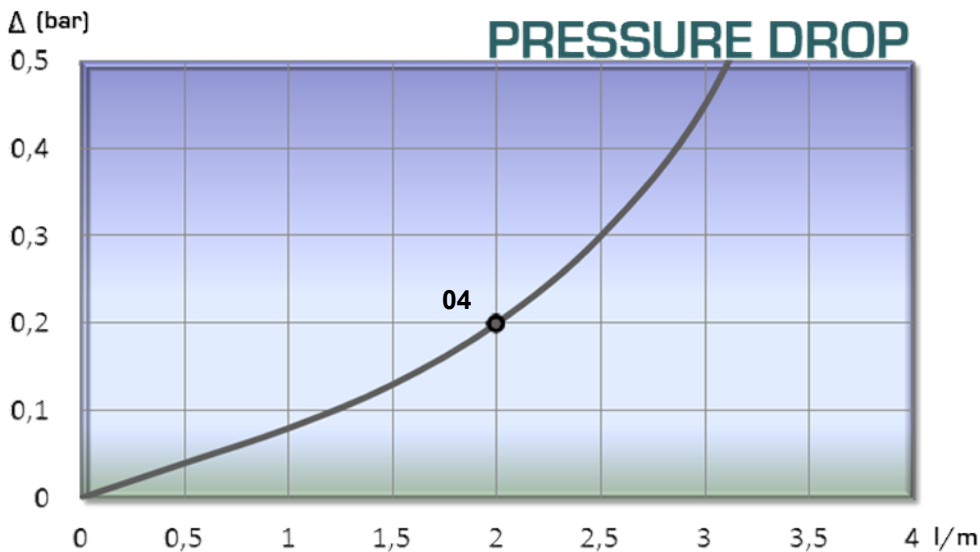


## TECHNICAL DATA

Carbon Steel

DN	Max. Flow	Connection Force	Min. Burst Pressure (bar)			Max. Working Pressure	Fluid Spillage
			Male	Female	Coupled		
04	2 l/m	50N	1700	1500	1400	420Bar	Máx. 0,02

Test performed according to ISO 18869



136-5