



108 SERIES DIN-F



Manufactured according to ISO 5675 and ISO 7241 norm.
Poppet Valve system. BSP. Others available upon request.

• Materials

Body: Carbon Steel EN -10277-3
Seals: NBR, Viton or EPDM

Back-Up-Ring: PTFE

Balls: AISI 1010/1015

Springs: Carbon Steel

DIN 17233/84(B)

• Working temperature (Seals)

	NBR	Viton	EPDM
	+100°C	+200°C	+150°C
	-30°C	-10°C	-40°C

• **Applications:** Designed for Oil hydraulic Applications according to European Directive 97.23.EC

• **Interchange:** H5000 EATON / 605-A GROMELLE

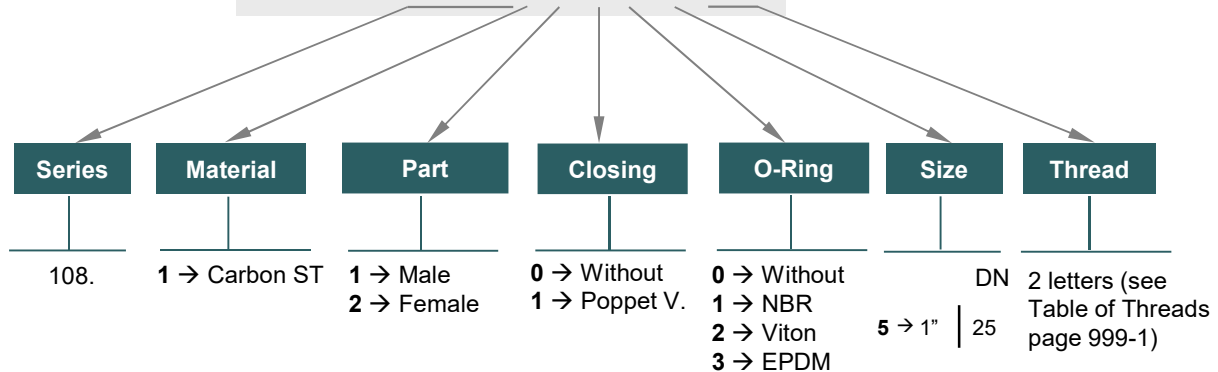
• **Sectors:** Industrial, Agricultural



MODEL STRUCTURE

Example:

108.11115 AF



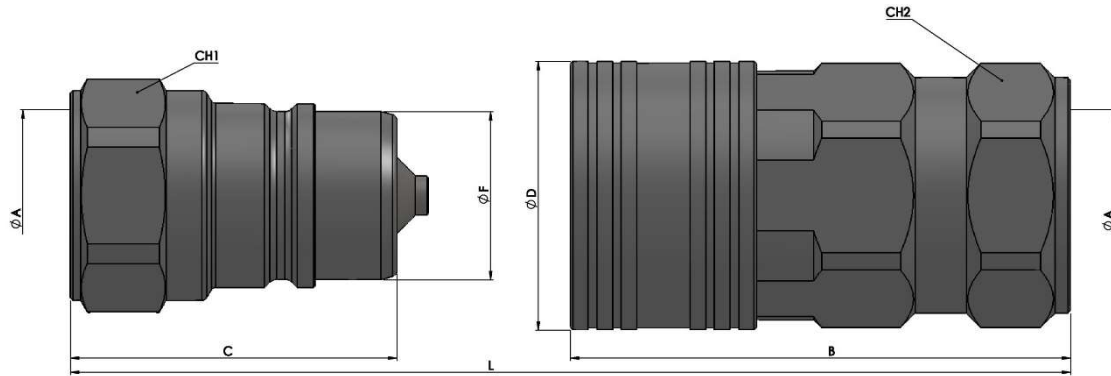
108-1




108 SERIES DIN-F




1" BSP DN25



STANDARD MALE MODELS

DN	ØA	REF.		CH1	C	ØF	L
25	1" BSP	108.11115AF 300Bar		41	63	32,40	126

STANDARD FEMALE MODELS

DN	ØA	REF.		CH2	B	ØD	L
25	1" BSP	108.12115AF 300Bar		46	96,50	51,8	126



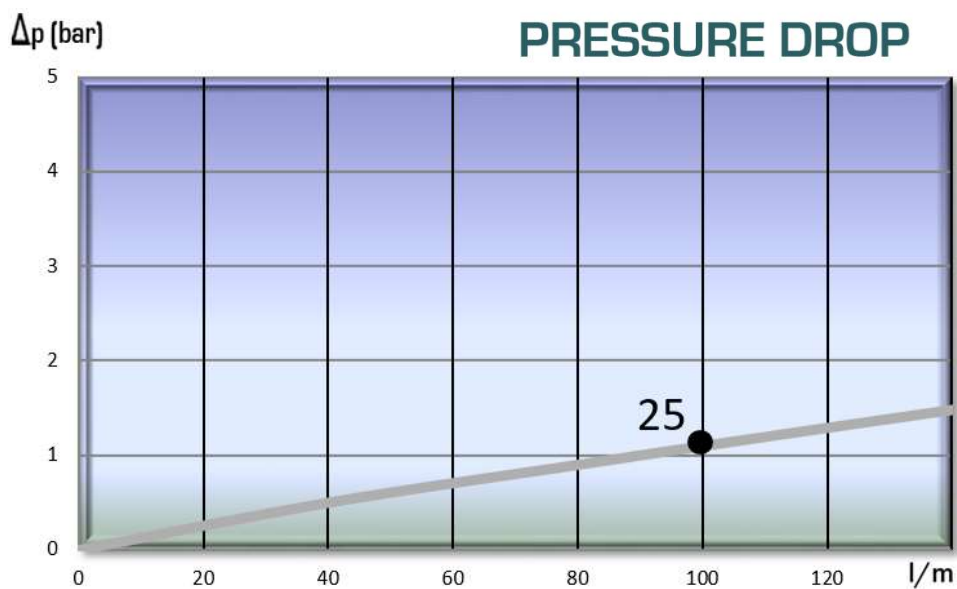
108 SERIES DIN-F



TECHNICAL DATA

DN	Rated Flow	Min Burst Pressure (bar)			Max. Working Pressure*
		Male	Female	Coupled	
25	100 l/m	950	980	920	300 Bar

Test performed according to ISO 18869



108-3