



433 SERIES

V3RH

BSP
F-M-F



Calibrated steel manufacturing.
Available with or without mounting holes.
Thread combination available upon request of minimum quantities.

• Materials

Carbon Steel *EN-10277-3*

Seals: NBR, Viton or EPDM

Seating Ball: P.O.M (Delrin®)

Handle: ZAMAK-5

• Working temperature (Seals)

	NBR	Viton	EPDM
+	+100°C	+200°C	+150°C
-	-30°C	-10°C	-40°C

• Sectors: Industrial, Agricultural.

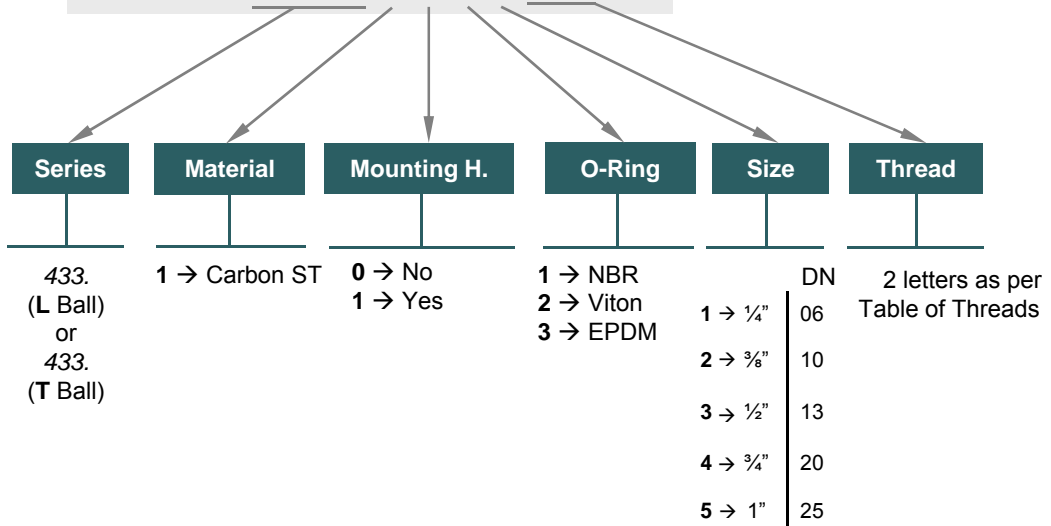


- **Applications:** Designed for Oil hydraulic Applications according to European Directive 97.23.EC Special for American market

MODEL STRUCTURE

Example;

433.1115 AG



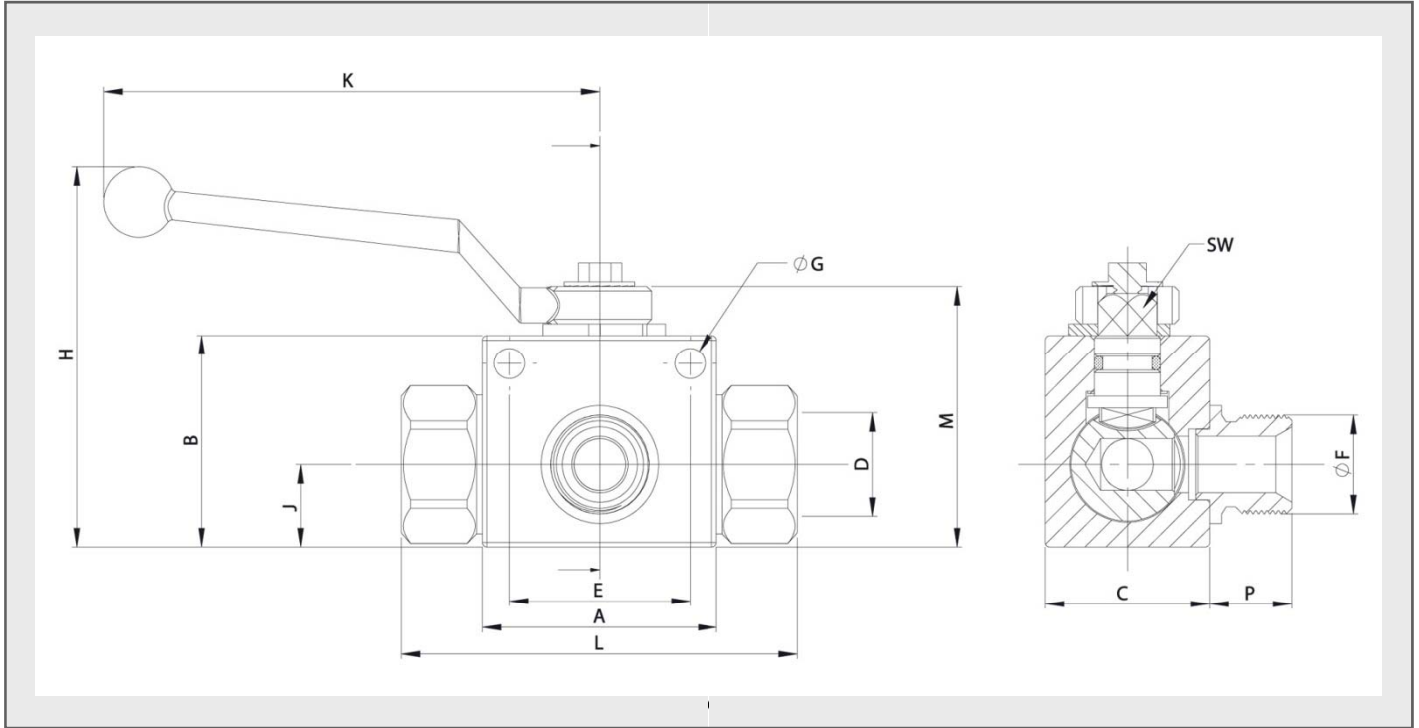
433-1






433 SERIES

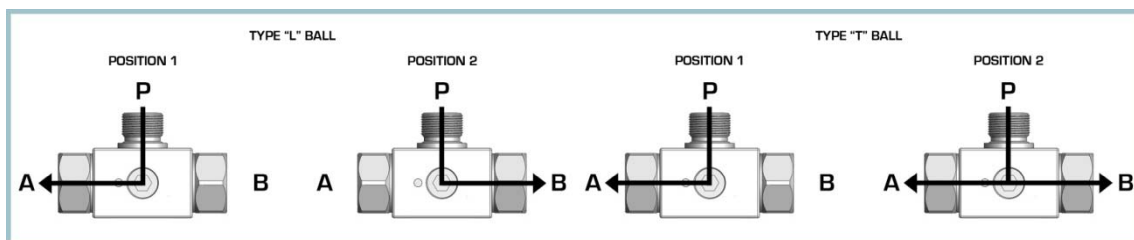
V3RH BSP
F-M-F



(A dimension)

STANDARD MODELS

DN	D / F	With M.H.	Without M.H.		CH1	L	A	B	M	K	H	J	C	SW	G	E	P
06	1/4" BSP	433.1111AM	433.1011AM		22	72,60	40	35	45,50	105,50	71	13	26	8,90	4,50	31,50	13
10	3/8" BSP	433.1112AN	433.1012AN	500Bar	27	75,40	45	40	50,50	105,50	76	16	32	8,90	5,20	31,50	15
13	1/2" BSP	433.1113AO	433.1013AO		30	74,70	50	45	55,50	105,50	81	17,50	35	8,90	6,50	38,50	17,50
20	3/4" BSP	433.1114AP	433.1014AP	400Bar	41	85,60	60	60	73	159,50	108	23	50	13,90	6,50	48,50	19
	1" BSP	433.1115AQ	433.1015AQ		46	114,50											25
25	1 1/4" BSP	433.1115AR	433.1015AR	350Bar	50	136,50	65	65	80	159,50	115	27,50	57	13,90	8,50	50,50	28
	1 1/2" BSP	433.1115AS	433.1015AS		55	146,50											



433-2

