



432 SERIES

V3RH

BSP / NPTF
ORB/ SAE



Calibrated steel manufacturing.
Available with or without mounting holes.
Thread combination available upon request of minimum quantities.

• Materials

Carbon Steel *EN-10277-3*

Seals: NBR, Viton or EPDM

Seating Ball: P.O.M (Delrin®)

Handle: ZAMAK-5

• **Applications:** Designed for Oil hydraulic Applications according to European Directive 97.23.EC
Special for American market

• Equivalence

PISTER BK3

MHA BK3

HYDAC KHB3K

• Working temperature (Seals)

	NBR	Viton	EPDM
+	+100°C	+200°C	+150°C
-	-30°C	-10°C	-40°C

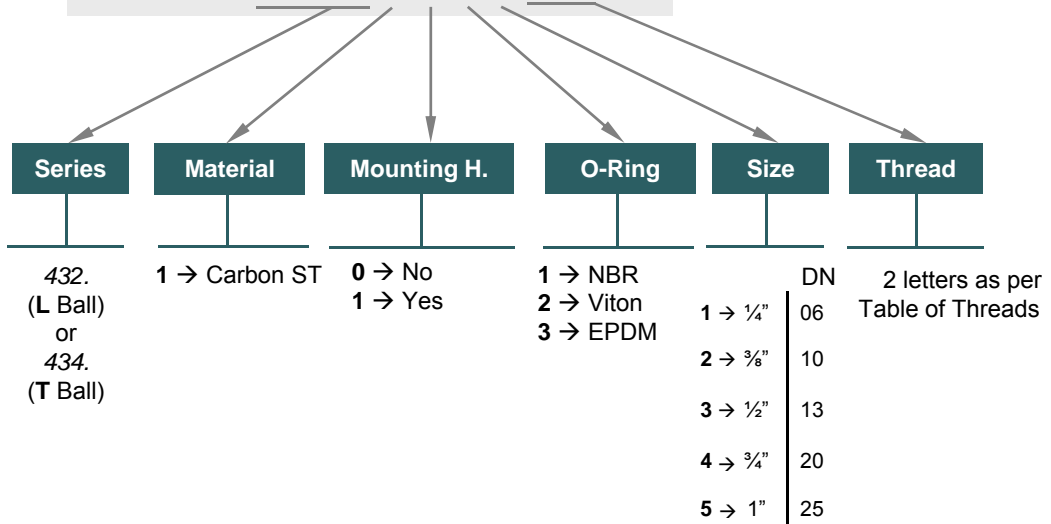
• **Sectors:** Industrial, Agricultural.



MODEL STRUCTURE

Example;

432.1113 AD



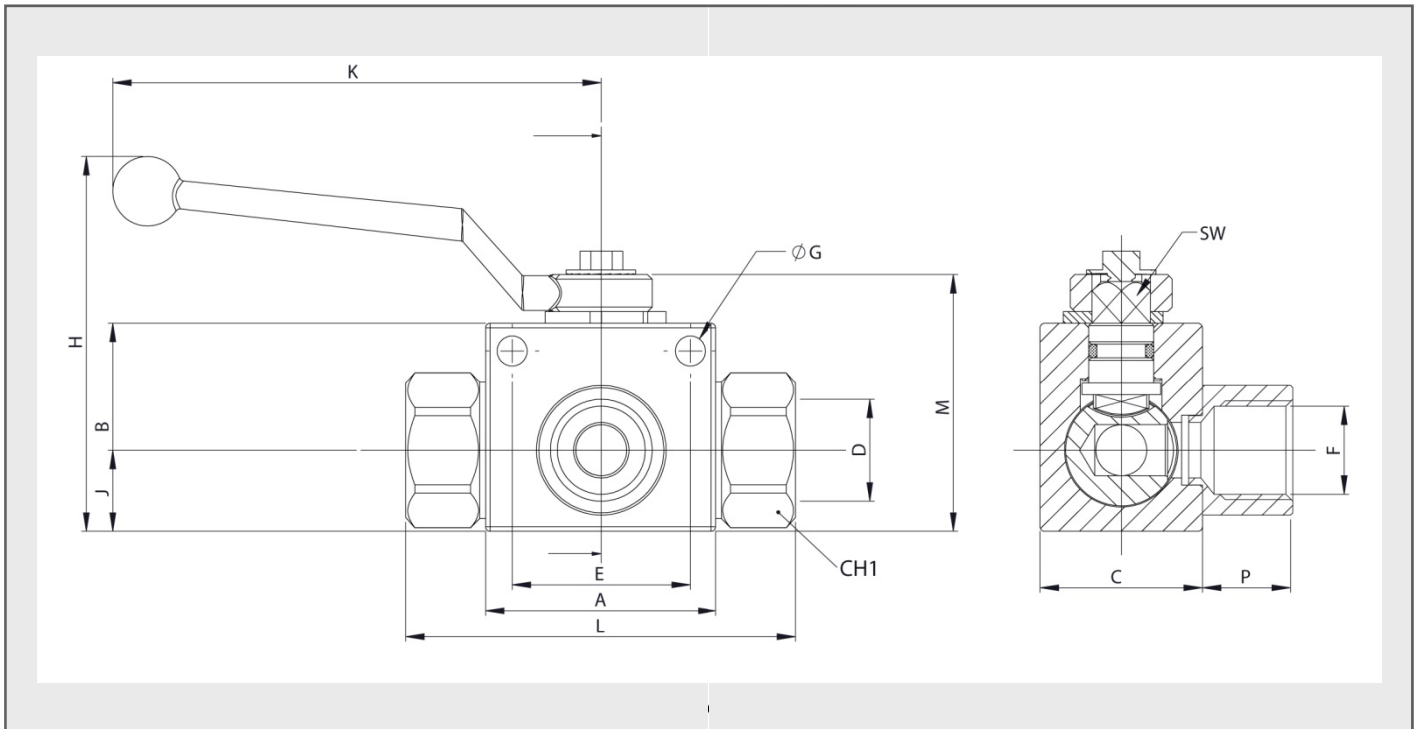
432-1






432 SERIES

V3RH BSP / NPTF
ORB/ SAE



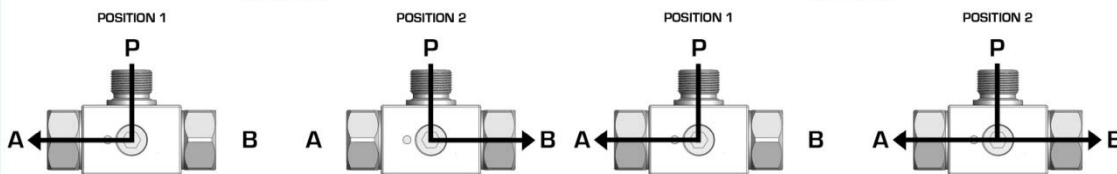
(A dimension)

STANDARD MODELS

DN	D / F	With M.H.	Without M.H.		CH1	L	A	B	M	K	H	J	C	SW	Ø G	E	P
06	1/4" BSP	432.1111AB	432.1011AB	500Bar	22	72,60	40	35	45,50	105,50	71	13	26	8,90	4,50	31,50	13
	1/4" NPTF	432.1111BB	432.1011BB														14
	7/16"-20ORB	432.1111GA	432.1011GA														15
10	3/8" BSP	432.1112AC	432.1012AC	500Bar	27	75,40	45	40	50,50	105,50	76	16	32	8,90	5,20	31,50	16
	3/8" NPTF	432.1112BC	432.1012BC														
	9/16" ORB	432.1112GC	432.1012GC														
13	1/2" BSP	432.1113AD	432.1013AD	500Bar	30	74,70	50	45	55,50	105,50	81	17,50	35	8,90	6,50	38,50	19,50
	1/2" NPTF	432.1113BD	432.1013BD														
	3/4" - 16ORB	432.1113GF	432.1013GF														
20	3/4" BSP	432.1114AE	432.1014AE	400Bar	41	85,60	60	60	73	159,50	108	23	50	13,90	6,50	48,50	19
	3/4" NPTF	432.1114BE	432.1014BE														21
	1 1/16"-12ORB	432.1114GK	432.1014GK														
25	1" BSP	432.1115AF	432.1015AF	350Bar	46	114,50	65	65	80	159,50	115	27,50	57	13,90	8,50	50,50	25
	1" NPTF	432.1115BF	432.1015BF		25												
	1 1/4" BSP	432.1115AG	432.1015AG		31												
	1 1/4" NPTF	432.1115BG	432.1015BG		25												
	1 1/2" BSP	432.1115AH	432.1015AH		32												
	1 1/2" NPTF	432.1115BH	432.1015BH		25												
	1 5/16" -12ORB	432.1115GO	432.1015GO		25												

TYPE "L" BALL

TYPE "T" BALL



432-2

