



453 SERIES

V3CR BSP
F-M-F



Calibrated steel manufacturing.
Available with and without mounting holes.
Thread combination available upon request of minimum quantities.

• **Materials**

Carbon Steel *EN-10277-3*

Seals: NBR, Viton or EPDM

Seating Ball: P.O.M (Delrin®)

Handle: ZAMAK-5

• **Applications:** Designed for Oil hydraulic Applications according to European Directive 97.23.EC Special for American market

• **Working temperature (Seals)**

	NBR	Viton	EPDM
+	+100°C	+200°C	+150°C
-	-30°C	-10°C	-40°C

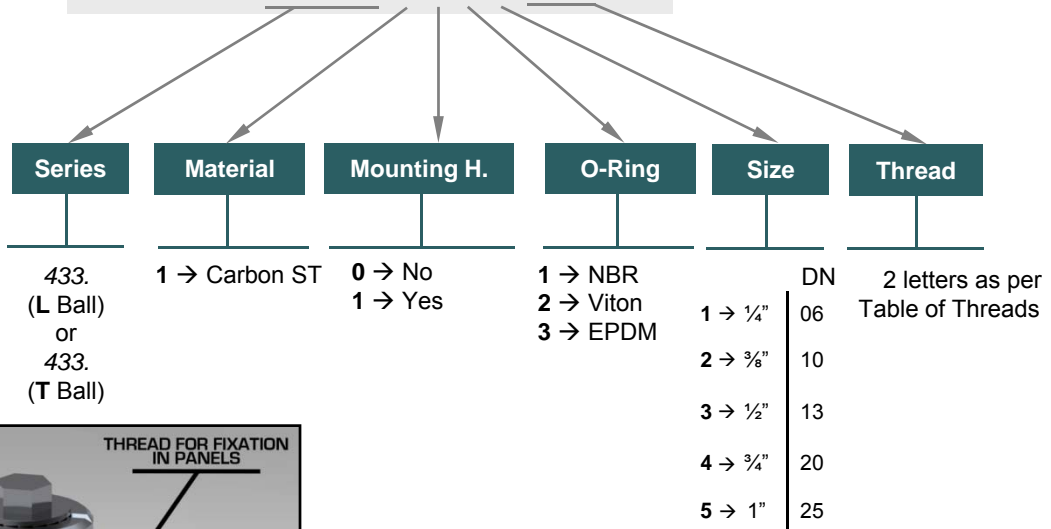
• **Sectors:** Industrial, Agricultural.



MODEL STRUCTURE

Example;

453.1014 AE



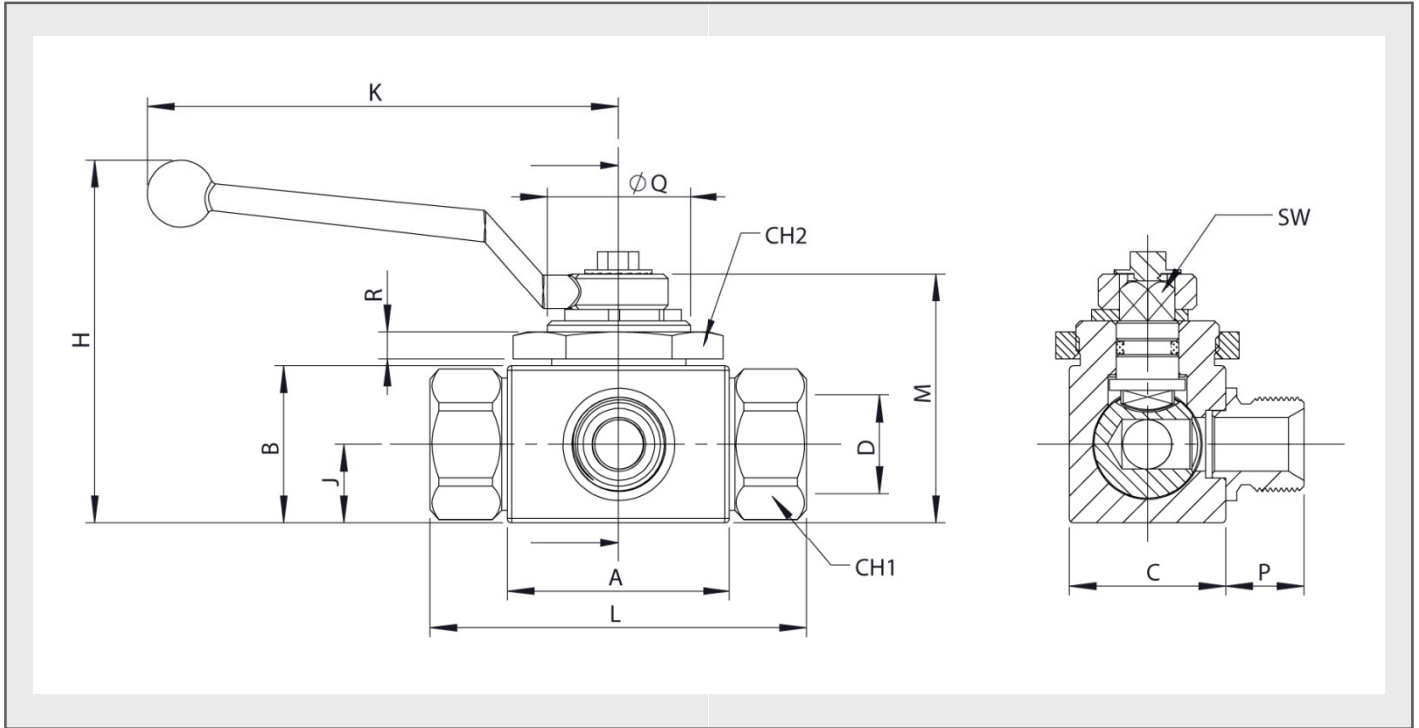
453-1






453 SERIES

V3CR BSP
F-M-F

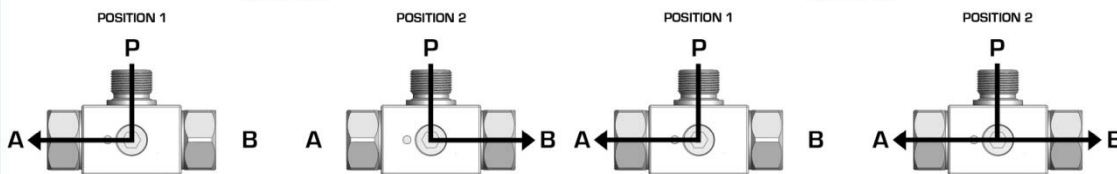


STANDARD MODELS

DN	D	REF.		CH1	CH2	L	A	B	M	K	H	J	C	SW	R	Q	P
06	1/4" BSP	453.1011AB	500Bar	22	30	72,60	40	35	45,50	105,50	71	13	26	8,90	6	M26x1,5	13
10	3/8" BSP	453.1012AC		27	41	75,40	45	40	50,50		76	16	32				
13	1/2" BSP	453.1013AD	400Bar	30	50	84,50	50	45	55,50	159,50	81	17,50	35	13,90		M32x1,5	17,5
20	3/4" BSP	453.1014AE		41	50	93,40	60	58	73		108	23	50				
25	1" BSP	453.1015AF	350Bar	46	50	114,50	65	65	80	115	27,50	57	M45x1,5	25			

TYPE "L" BALL

TYPE "T" BALL



453-2

