



412 SERIES

V2RD BSP / NPTF / SAE / ORB
STAINLESS STEEL



Calibrated steel manufacturing.
Thread combination available upon request of minimum quantities.

• Materials

Carbon Steel *EN -10277-3*, Stainless Steel *AISI 316L*,

Stainless Steel *AISI 303*

Seals: NBR, Viton or EPDM

Seating Ball: P.O.M (Delrin®)

Handle: ZAMAK-5

• **Applications:** Designed for Oil hydraulic Applications according to European Directive 97.23.EC

• Equivalence

PISTER BKH
MHA BKH
HYDAC BKH
DMIC BVH

• Working temperature (Seals)

	NBR	Viton	EPDM
+	+100°C	+200°C	+150°C
-	-30°C	-10°C	-40°C

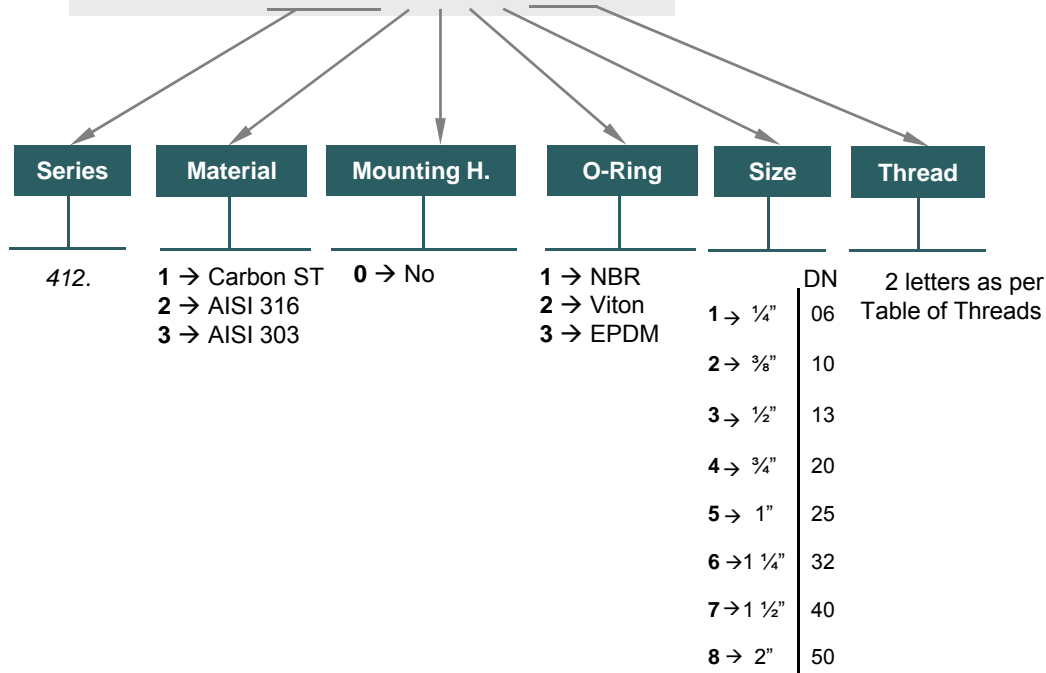
• **Sectors:** Industrial, Agricultural.



MODEL STRUCTURE

Example;

412.2014 GK



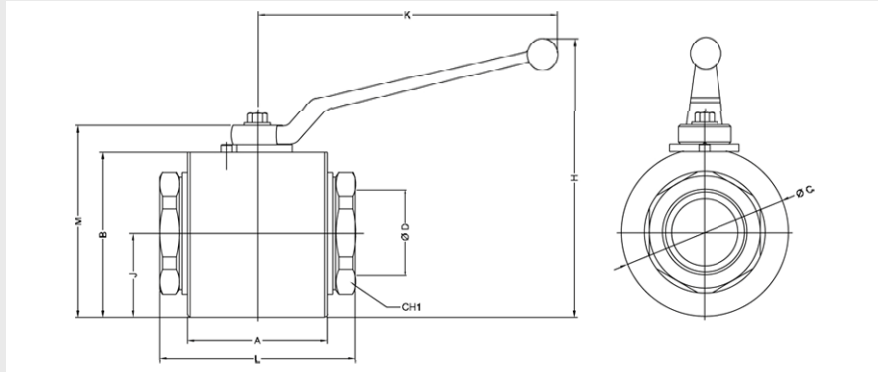
412-1





412 SERIES

V2RD BSP / NPTF / SAE / ORB
STAINLESS STEEL



DN	CH1	L	A	M	K	H	J	B	ØC
06	22	74,50	40	45,50	105,50	71	13	35	38
10	27		45	50,50		76	16	40	45
13	30	84,50	50	55,50	159,50	81	17,50	45	48
20	41	93,40	60	73		108	50	59,5	65
25	46	114,50	65	80	214	115	27,50	65	70
	50	136,50							
	55	146,50							
32	55	110	80	100	191	135	41	85,75	90
40	65	120	85	114		176	44,50	105	110
50	80	140	100	129				115	120

STANDARD MODELS (AISI 316)

DN	Ø D	REF.	
06	1/4" BSP	412.2021AB	500Bar
	1/4" NPTF	412.2021.BB	
	7/16"-20ORB	412.2021GA	
10	3/8" BSP	412.2022AC	500Bar
	3/8" NPTF	412.2022BC	
	9/16"-18ORB	412.2022GC	
13	1/2" BSP	412.2023AD	500Bar
	1/2" NPTF	412.2023BD	
	3/4" - 16ORB	412.2023GF	
20	3/4" BSP	412.2024.AE	400Bar
	3/4" NPTF	412.2024BE	
	1 1/16"-12ORB	412.2024GK	
25	1" BSP	412.2025AF	350Bar
	1" NPTF	412.2025BF	
	1 1/4" BSP	412.2025AG	
	1 1/4" NPTF	412.2025BG	
	1 1/2" BSP	412.2025AH	
	1 1/2" NPTF	412.2025BH	
32	1 5/16"-12ORB	412.2025GO	320Bar
	1 1/4" BSP	412.2026AG	
	1 1/4" NPTF	412.2026BG	
40	1 5/8"-12ORB	412.2026GT	320Bar
	1 1/2" BSP	412.2027AH	
50	1 1/2" NPTF	412.2027BH	320Bar
	2" BSP	412.2028AI	
	2" NPTF	412.2028BI	

Safety pressure factor 1:4

STANDARD MODELS (AISI 316)

DN	D	ØT	REF.	
06	M12x1,5	6L	412.2021JB	500Bar
	M14x1,5	8L	412.2021JC	
	M16x1,5	8S	412.2021KD	
	M18x1,5	10S	412.2021KE	
10	M16x1,5	10L	412.2022JD	500Bar
	M18x1,5	12L	412.2022JE	
	M22x1,5	15L	412.2022JG	
	M20x1,5	12S	412.2022KF	
	M22x1,5	14S	412.2022KG	
13	M22x1,5	15L	412.2023JG	500Bar
	M26x1,5	18L	412.2023JI	
	M24x1,5	16S	412.2023KH	
	M30x2	20S	412.2023KJ	
20	M30x2	22L	412.2024JJ	400Bar
	M30x2	20S	412.2024KJ	
	M36x2	25S	412.2024KK	
25	M36x2	28L	412.2025JK	350Bar
	M42x2	30S	412.2025KL	
32	M45x2	35L	412.2026JM	320Bar
	M52x2	38S	412.2026KN	

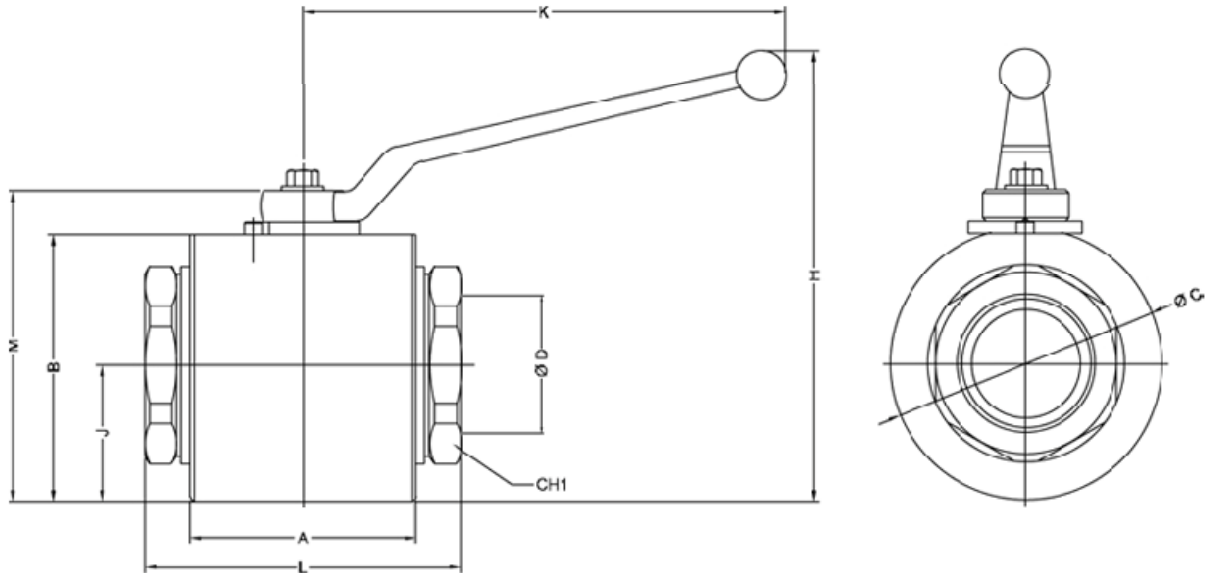
412-2







412 SERIES

V2RD BSP / NPTF / SAE / ORB
CARBON STEEL



DN	CH1	L	A	M	K	H	J	B	ØC
32	55	110	80	100	159,50	135	41	85,75	90
40	65	120	85	114	214	176	44,50	105	110
50	80	140	100	129		191	52	115	120

STANDARD MODELS (CARBON STEEL)				
DN	D	ØT	REF.	
32	M45x2	35L	412.1016JM	320Bar
	M52x2	38S	412.1016KN	

STANDARD MODELS (CARBON STEEL)			
DN	Ø D	REF.	
32	1 ¼" BSP	412.1016AG	320Bar
	1 ¼" NPTF	412.1016BG	
	1 5/8"-12ORB	412.1016GT	
40	1 ½" BSP	412.1017AH	320Bar
	1 ½" NPTF	412.1017BH	
50	2" BSP	412.1018AI	320Bar
	2" NPTF	412.1018BI	