



402 SERIES

V2MT DIN 2353



Calibrated steel manufacturing.
Available with or without mounting holes.
Thread combination available upon request of minimum quantities.

• Materials

Carbon Steel *EN-10277-3 / AISI 316L*

Seals: NBR, Viton or EPDM

Seating Ball: P.O.M (Delrin®)

Handle: ZAMAK-5

• **Applications:** Designed for Oil hydraulic Applications according to European Directive 97.23.EC
Special for American market

• Equivalence

PISTER BKH
MHA BKH
HYDAC KHB

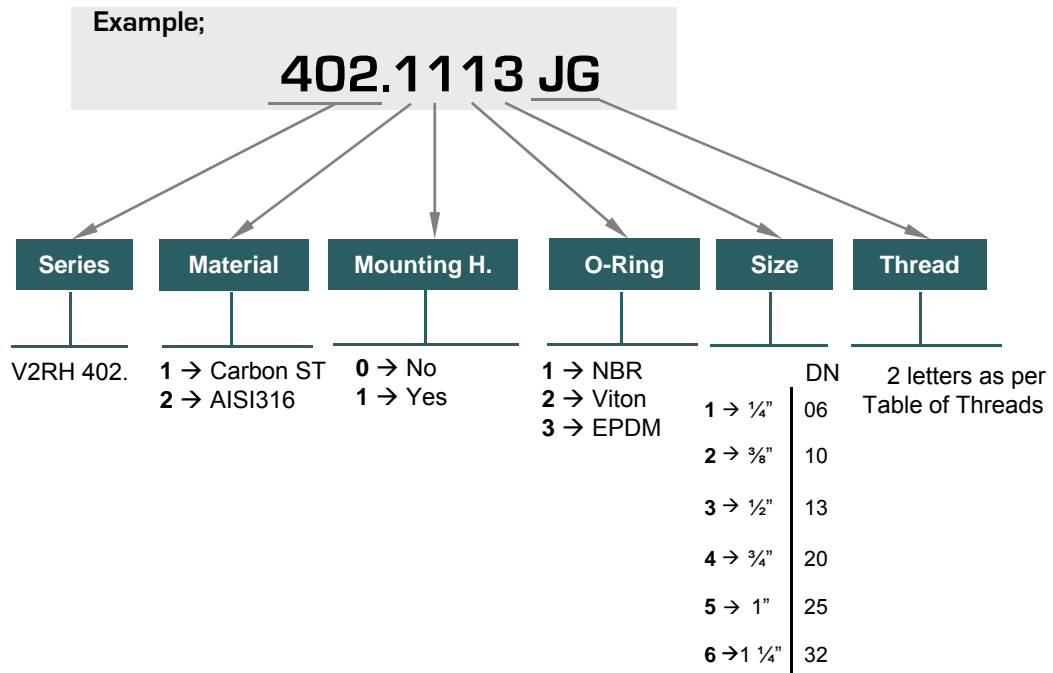
• Working temperature (Seals)

	NBR	Viton	EPDM
+	+100°C	+200°C	+150°C
-	-30°C	-10°C	-40°C

• **Sectors:** Industrial, Agricultural.



MODEL STRUCTURE



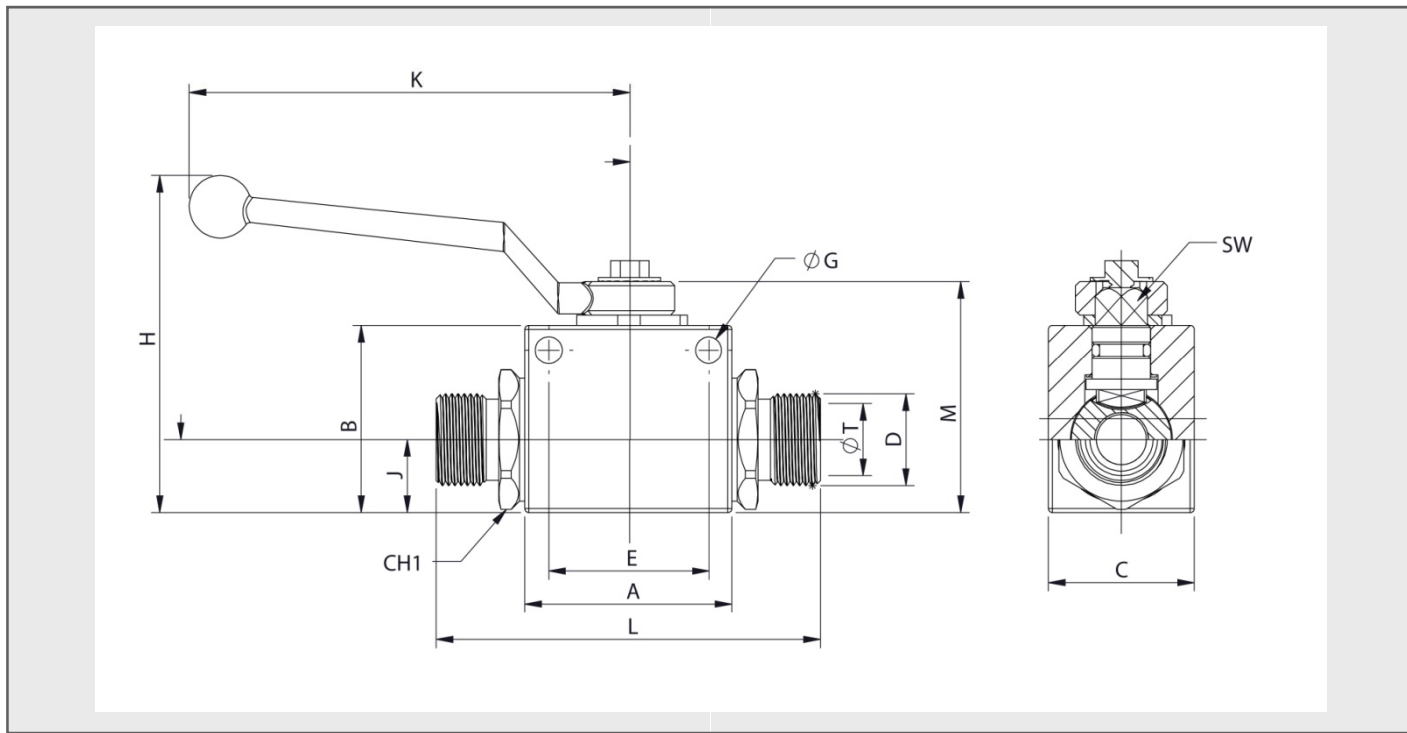
402-5






402 SERIES

V2MT DIN 2353



STANDARD MODELS

DN	D	ØT	With M.H.	Without M.H.		CH1	L	A	B	M	K	H	J	C	SW	ØG	E
06	M12x1,5	6L	402.1111JB	402.1011JB			78,60										
	M14x1,5	8L	402.1111JC	402.1011JC		22	79,60	40	35	45,50	105,50	71	13	26	8,90	4,50	31,50
	M16x1,5	8S	402.1111KD	402.1011KD													
	M18x1,5	10S	402.1111KE	402.1011KE													
10	M16x1,5	10L	402.1112JD	402.1012JD			77,40										
	M18x1,5	12L	402.1112JE	402.1012JE													
	M22x1,5	15L	402.1112JG	402.1012JG	500Bar	27	79,40	45	35	50,50	105,50	76	16	32	8,90	5,20	31,50
	M20x1,5	12S	402.1112KF	402.1012KF													
13	M22x1,5	14S	402.1112KG	402.1012KG													
	M22x1,5	15L	402.1113JG	402.1013JG													
	M26x1,5	18L	402.1113JI	402.1013JI		30	92,50	50	45	55,50	105,50	81	17,50	35	8,90	6,50	38,50
	M24x1,5	16S	402.1113KH	402.1013KH													
20	M30x2	20S	402.1113KJ	402.1013KJ													
	M30x2	22L	402.1114JJ	402.1014JJ													
	M30x2	20S	402.1114KJ	402.1014KJ	400Bar	41	108,40	60	58	73	159,50	108	23	50	13,90	6,50	48,50
	M36x2	25S	402.1114KK	402.1014KK			114,40										
25	M36x2	28L	402.1115JK	402.1015JK			113,50	65	65	80	159,50	115	27,50	57	13,90	8,50	50,50
	M42x2	30S	402.1115KL	402.1015KL	350Bar	46	128,50										

402-6

