



# 452 SERIES

**V2CR** BSP / NPTF SAE /  
ORB DIN2353



Calibrated steel manufacturing.  
With bulkhead thread and nut to assembly in panels  
Thread combination available upon request of minimum quantities.

### • Materials

Carbon Steel *EN-10277-3*

Seals: NBR, Viton or EPDM

Seating Ball: P.O.M (Delrin®)

Handle: ZAMAK-5

• **Applications:** Designed for Oil hydraulic Applications according to European Directive 97.23.EC  
Special for American market

### • Equivalence

INTEVA STANDARD

### • Working temperature (Seals)

	NBR	Viton	EPDM
+	+100°C	+200°C	+150°C
-	-30°C	-10°C	-40°C

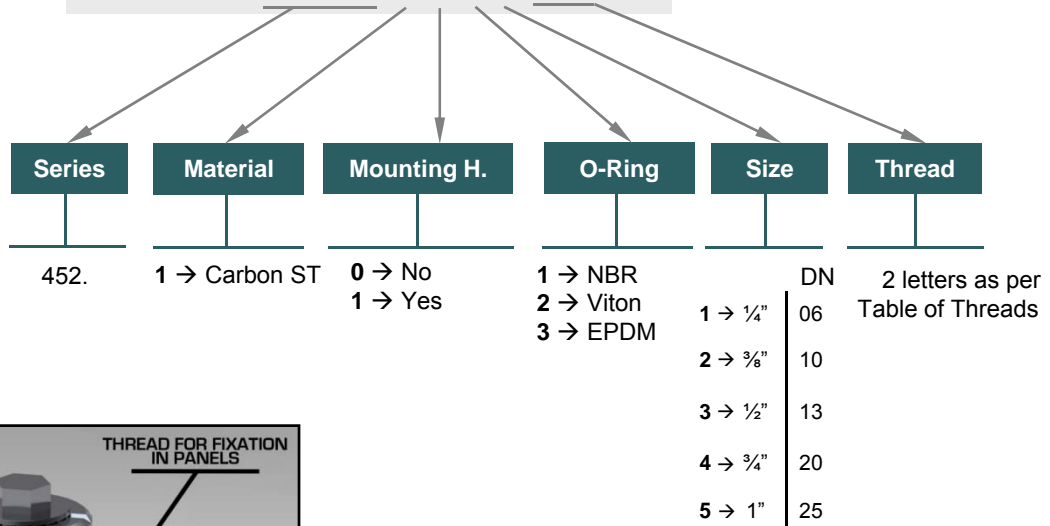
• **Sectors:** Industrial, Agricultural.



### MODEL STRUCTURE

Example;

**452.1112 KF**



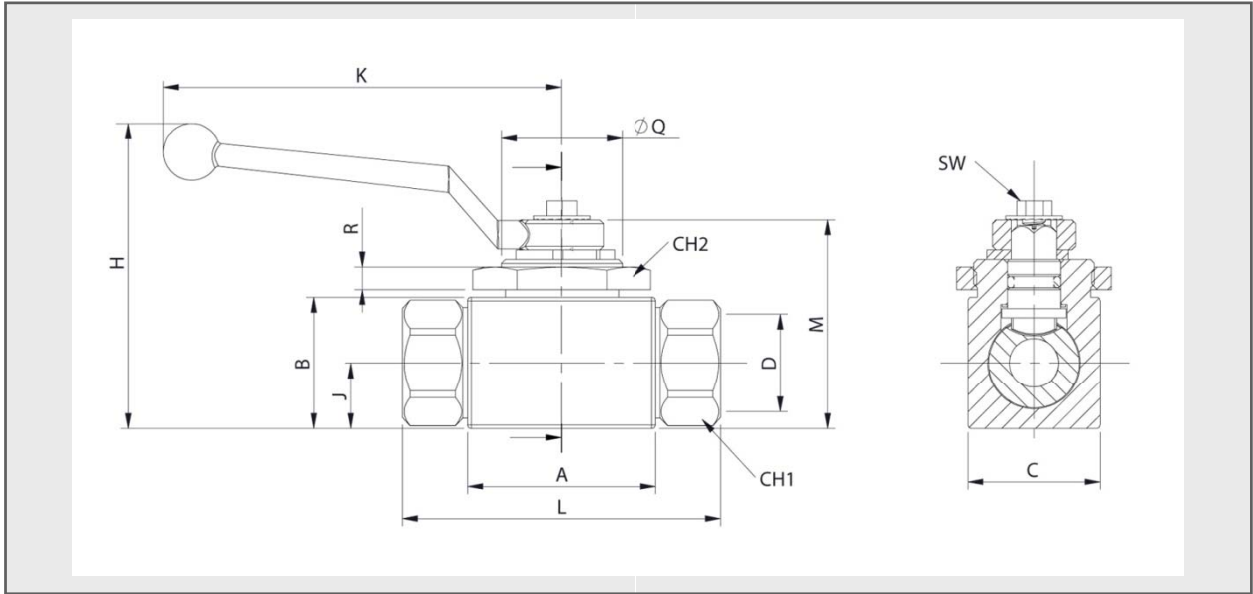
**452-1**





# 452 SERIES

**V2CR** BSP / NPTF SAE /  
ORB DIN2353



## STANDARD MODELS

DN	D	REF.		CH1	CH2	L	A	B	M	K	H	J	C	SW	R	ØQ
06	1/4" BSP	452.1011AB	500Bar	22	30											
	1/4" NPTF	452.1011BB				74,60										
	7/16" -12ORB	452.1011GA														
	M12x1,5 6L	452.1011JB				78,60	40	35	45,50	105,50	71	13	26	8,90	6	M26x1,5
	M14x1,5 8L	452.1011JC														
10	M16x1,5 10L	452.1011JD				79,60										
	M16x1,5 8S	452.1011KD														
	3/8" BSP	452.1012AC														
	3/8" NPTF	452.1012BC				75,40										
	9/16" -18ORB	452.1012GC														
	M16x1,5 10L	452.1012JD	27	41	77,40	45	40	50,50	105,50	76	16	32	8,90	6	M32x1,5	
	M18x1,5 12L	452.1012JE														
13	M22x1,5 15L	452.1012JG				79,40										
	M20x1,5 12S	452.1012KF														
	M22x1,5 14S	452.1012KG														
	1/2" BSP	452.1013AD														
	1/2" NPTF	452.1013BD				84,50										
20	3/4" -16ORB	452.1013GF														
	M22x1,5 15L	452.1013JG	30	41		50	45	55,50	105,50	81	17,50	35	8,90	6	M32x1,5	
	M26x1,5 18L	452.1013JI														
	M24x1,5 16S	452.1013KH				92,50										
	M30x2 20S	452.1013KJ														
25	3/4" BSP	452.1014AE														
	3/4" NPTF	452.1014BE				93,40										
	1 1/16" -12ORB	452.1014GK	41	50		60	58	73	159,50	108	23	50	13,90	6	M45x1,5	
	M30x2 22L	452.1014JJ														
25	M30x2 20S	452.1014KJ				108,40										
	M36x2 25S	452.1014KK				114,40										
	1" BSP	452.1015AF														
	1" NPTF	452.1015BF	46	50	114,50	65	65	80	159,50	115	27,50	57	13,90	6	M45x1,5	
	1 2/16" -12ORB	452.1015GO														
M36x2 28L	452.1015JK				113,50											

