



# 471 SERIES

## EK3

BSP



Steel manufacturing.  
 Designed without inner ball. Spin movement allows opening and closing the valve.  
 BSP Threads, others available upon request.

### • Materials

Carbon Steel *EN-10277-3*

Seals: NBR, Viton or EPDM

Handle: ZAMAK-5

### • Working temperature (Seals)

	NBR	Viton	EPDM
+	+100°C	+200°C	+150°C
-	-30°C	-10°C	-40°C

- **Applications:** Designed for Oil hydraulic Applications according to European Directive 97.23.EC Special for American market

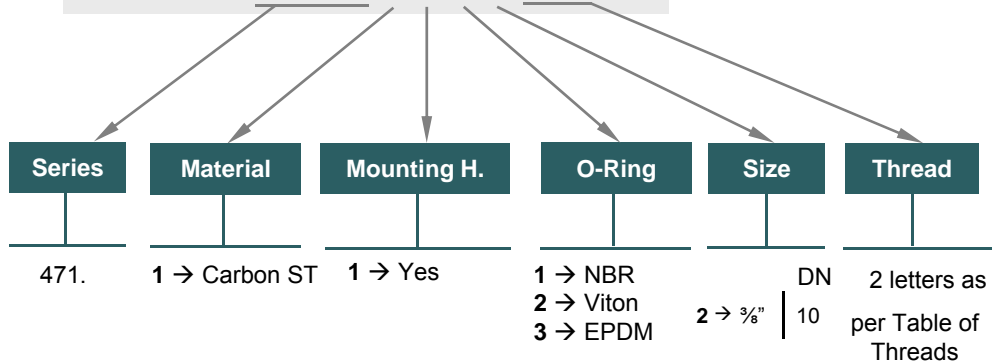
### • Sectors: Industrial, Agricultural.



### MODEL STRUCTURE

Example;

**471.1114 AE**



**471-1**

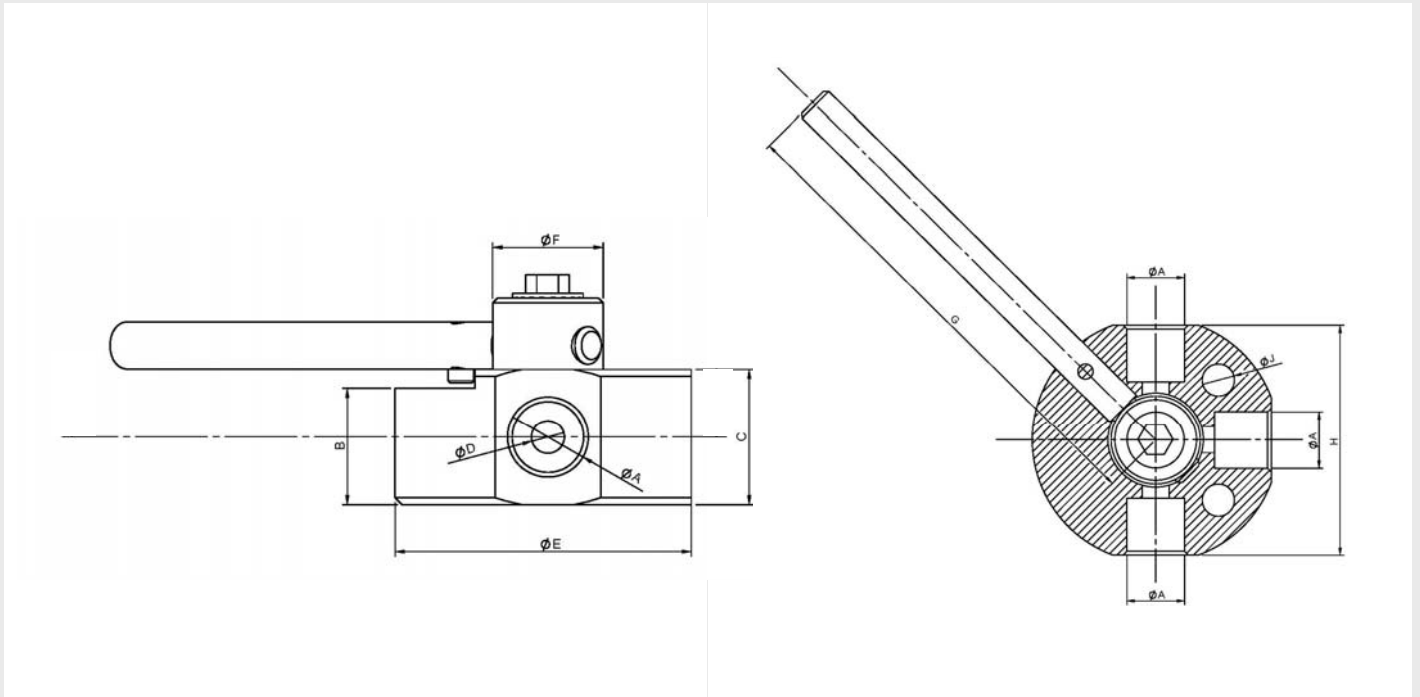





# 471 SERIES

## EK3

BSP



### STANDARD MODEL

DN	F	REF.		Ø A	B	C	Ø D	Ø E	Ø F	G	H	I	Ø J
10	3/8" BSP	471.1112AC	190Bar	15,20	25	29	7	65	26,50	127,25	61	15,50	8,50

**471-2**

