



# 470 SERIES EK2

BSP  
DIN2353

Calibrated steel manufacturing.  
Thread combination available upon request of minimum quantities.

### • Materials

Carbon Steel *EN-10277-3*

Seals: NBR, Viton or EPDM

Handle: ZAMAK-5

### • Working temperature (Seals)

	NBR	Viton	EPDM
	+100°C	+200°C	+150°C
	-30°C	-10°C	-40°C

- **Applications:** Designed for Oil hydraulic Applications according to European Directive 97.23.EC Special for American market

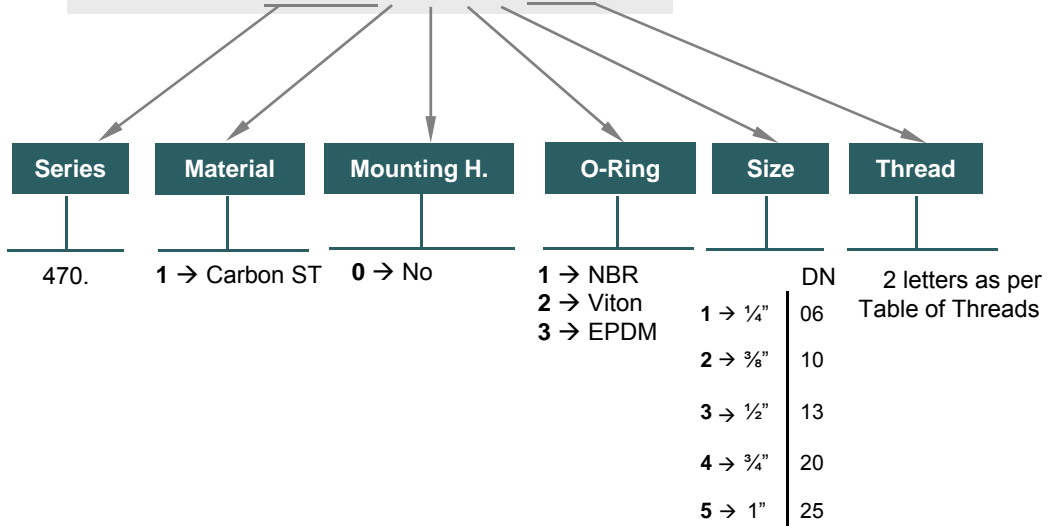
- **Sectors:** Industrial, Agricultural.



## MODEL STRUCTURE

Example;

# 470.1014 AE

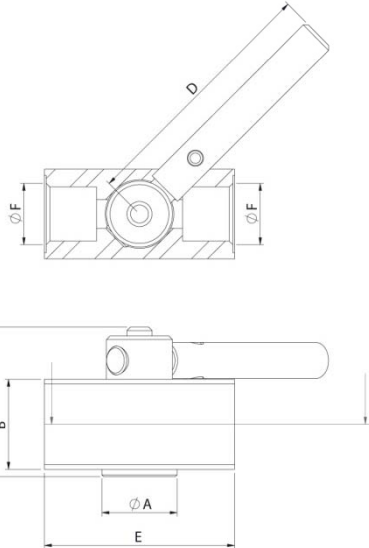


## 470-1




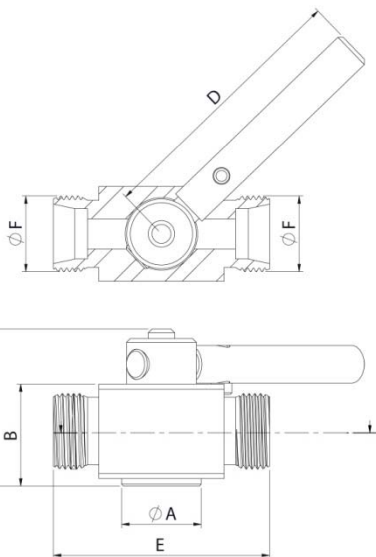
# 470 SERIES EK2

BSP  
DIN2353




## STANDARD MODEL

DN	Ø F	REF.		Ø A	B	C	D	E
10	3/8" BSP	470.1012AC	250Bar	36	56	26,85	112	53



## STANDARD MODEL

DN	Ø F	REF.		Ø A	B	C	D	E
10	M20x1,5	470.1012KFA	250Bar	36	56	26,85	112	53

470-2